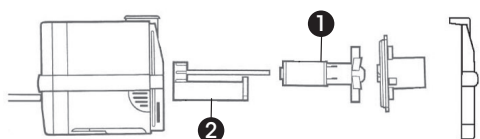
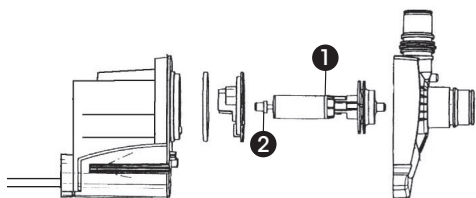


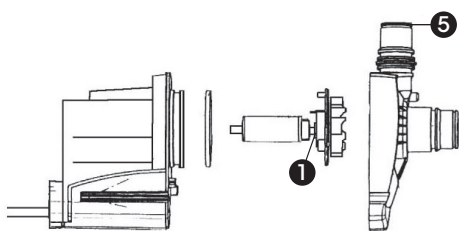
POWERJET MAX FLO 2000 | 4000 | 5000 | 7600 | 9000 | 11000 | 16000



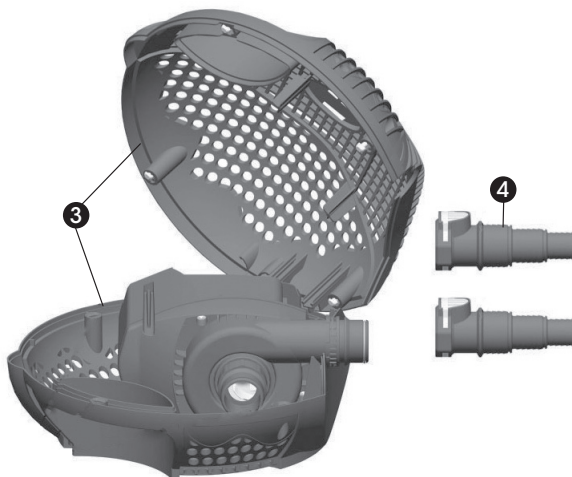
POWERJET MAX FLO 2200



POWERJET MAX FLO 4000



POWERJET MAX FLO
5000 | 7600 | 9000 | 11000 | 16500



RICAMBI

N.	Modello	Cod. EAN	Cod.
1	Magnetogirante		
	POWERJET MAX FLO 2200	0 155612 045526	930444 PT455
	POWERJET MAX FLO 4000	0 155612 045762	930419 PT457
	POWERJET MAX FLO 5000	0 155612 039686	93039500 PT396
	POWERJET MAX FLO 7600 9000	0 155612 046820	93039700 PT468
	POWERJET MAX FLO 11000	0 155612 046516	930389 PT465
	POWERJET MAX FLO 16000	0 155612 035480	930391 PT354
2	Perno ceramico e supporto		
	POWERJET MAX FLO 2200	0 155612 079125	930805 PT759
	POWERJET MAX FLO 4000	0 155612 076148	930418 PT761
3	Guscio della pompa		
POWERJET MAX FLO 2200	0 155612 043928	930069 PT439	

N.	Modello	Cod. EAN	Cod.
4	Innesto rapido universale (3/4", 1", 1-1/4") (20-25-32 mm) con attacco Click-fit 1"		
	POWERJET MAX FLO 2200 4000 5000	0 155612 063650	930256 PT636
4	Innesto rapido universale (3/4", 1", 1-1/4") (20-25-32 mm) con attacco Click-fit 1-1/4"		
	POWERJET MAX FLO 7600 9000 11000	0 155612 064022	930216 PT640
5	Coprigirante		
POWERJET MAX FLO 7600 9000 11000	0 155612 073550	930066 PT735	